

* V means 1500V module

HT72-156M-C
HT72-156M(V)-C

NEW

POWER OUTPUT

380W / 385W
390W / 395W / 400W



- Module Efficiency: 19.28%
- No. of Cells: 144 (6 × 24)
- Weight: 23.0kg
- Dimensions: 1987mm×992mm×40mm

● (Optional)
Design of Water
Leakage Trough

Monocrystalline
156.75 × 78.375mm



Shanghai Aerospace Automobile
Electromechanical Co., Ltd.
website: www.ht-saae.com



Factory :
Lianyungang ShenZhou New Energy Co., Ltd.
Turkey HT Solar Energy Joint Stock Company



Half cut cell technology can reduce the internal power loss and improve component overall power. Excellent heat dissipation avoids hot spot production.

5BB The optimized number and width of main gate lines, Maximize the light receiving area of components and Reduce component power consumption

10Ys
Products
Warranty



Designed for high voltage systems of up to 1500 VDC, increasing the string length of solar systems and saving on BoS costs

25Ys
Warranty on
power output



All the modules are sorted and packaged by amperage, reducing mismatch losses and maximizing system output.

EL

Microcrack resistant Double glass structure enhance reliability, triple EL tested of high quality control.

5W

Positive tolerance 0/+5w guaranteed



Entire module certified to with stand extreme wind (2400 Pa) and snow loads (5400 Pa)

PID

PID Resistant

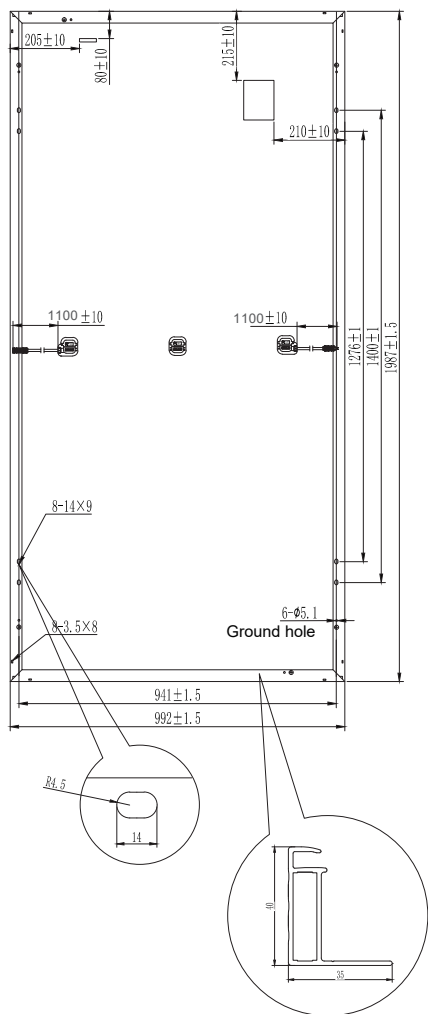
Comprehensive and first-rate certification system

IEC61215: 2016, IEC61730: 2016 Latest Standard
ISO9001, ISO14001 and OHSAS18001,
meeting the highest international standards
Strict quality control



IEC 61215
IEC 61730
Regular Production
Surveillance
www.tuv.com

Engineering Drawing



Electrical Characteristics

Module	HT72-156M-C / HT72-156M(V)-C				
Maximum Power at STC(Pmax)	380W	385W	390W	395W	400W
Open-Circuit Voltage(Voc)	48.6V	48.8V	49V	49.2V	49.3V
Short-Circuit Current(Isc)	10.26A	10.35A	10.44A	10.53A	10.65A
Optimum Operating Voltage (Vmp)	40.4V	40.6V	40.8V	41V	41.2V
Optimum Operating Current(Imp)	9.42A	9.5A	9.57A	9.64A	9.72A
Module Efficiency	19.28%	19.53%	19.79%	20.04%	20.29%
Power Tolerance	0 ~ +5W				
Maximum System Voltage	1000V / 1500V DC(IEC)				
Maximum Series Fuse Rating	15A				
Operating Temperature	-40 °C to +85 °C				

*STC: Irradiance 1000W/m², module temperature 25, AM=1.5
Optional black frame or white frame module according to customer requirements

NOCT

Module	HT72-156M-C / HT72-156M(V)-C				
Maximum Power	281W	285W	289W	293W	296W
Open Circuit Voltage (Voc)	45.9V	46.1V	46.3V	46.5V	46.6V
Short Circuit Current (Isc)	8.28A	8.36A	8.43A	8.5A	8.6A
Maximum Power Voltage (Vmp)	38.2V	38.4V	38.6V	38.7V	38.9V
Maximum Circuit Current (Imp)	7.36A	7.42A	7.49A	7.57A	7.61A
NOCT	45°C ± 2°C				

*NOCT: Irradiance 800W/m², ambient temperature 20 °C, wind speed 1 m/s

Mechanical Characteristics

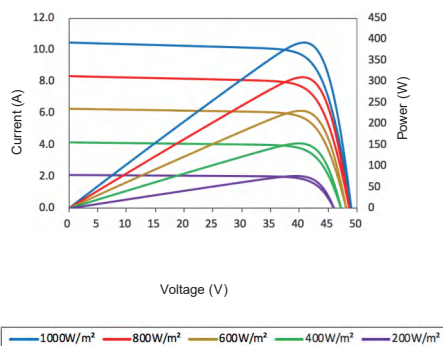
Solar Cells	Monocrystalline 156.75 × 78.375mm
No. of Cells	144 (6 × 24)
Dimensions	1987mm × 992mm × 40mm
Weight	23.0kg
Front Glass	High transmission tempered glass
Frame	Anodized aluminium alloy
Junction Box	IP67
Cable	4mm ² length=1100mm
Connectors	MC ₄ / MC ₄ Compatible
Packaging Configuration	27pcs / box, 594pcs / 40'HQ Container

Temperature Characteristics

Temperature Coefficient of Pmax	γ (Pm)	-0.39%/K
Temperature Coefficient of Voc	β (Voc)	-0.29%/K
Temperature Coefficient of Isc	α (Isc)	0.049%/K

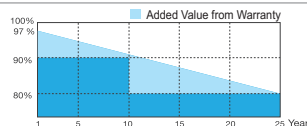
I-V Curves

Current-Voltage & Power-Voltage Curve



Warranty

10-year product warranty
25-year warranty on power output
Specific information is referred to the product quality guarantee



Information Box